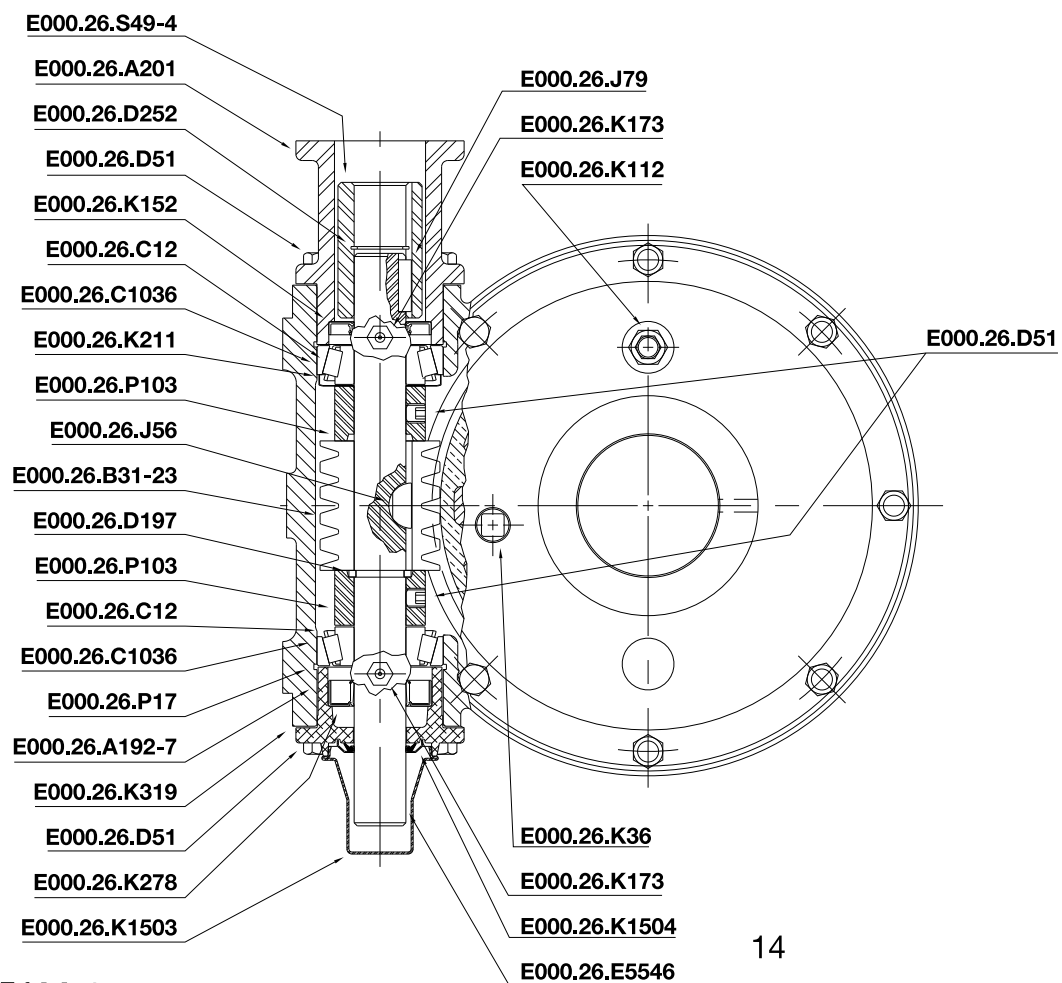
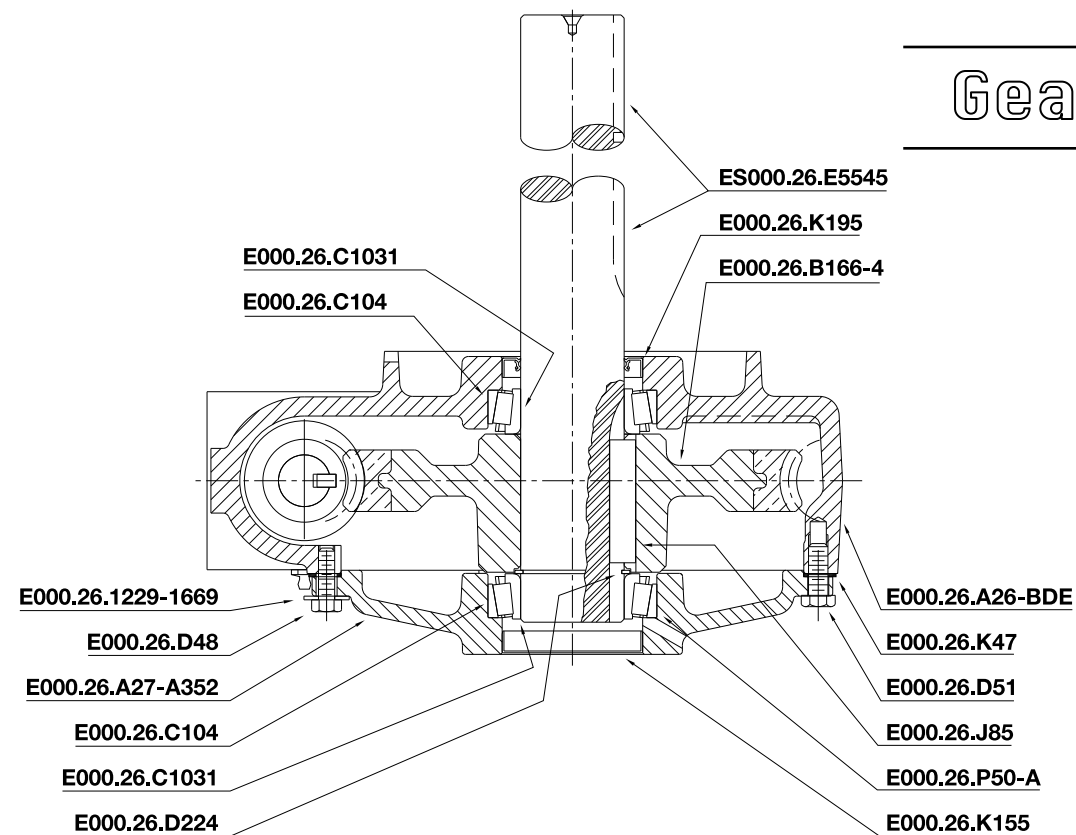


Gearbox Parts Diagram and List



Harder Part No.	Qty. Per	Part Name
E000.26.A26-BDE	1	Housing
E000.26.A27-A352	1	Cover
E000.26.A192-7	1	End Cap, Open
E000.26.A201	1	Hydraulic Adapter (4 Bolts)
E000.26.B31-23	1	Worm
E000.26.B166-4	1	Worm Gear
E000.26.C12	2	Bearing Cone (Input)
E000.26.C1036	2	Bearing Cup (Input)
E000.26.C1031	2	Bearing Cone (Output)
E000.26.C104	2	Bearing Cup (Output)
E000.26.D44	2	Set Screw (Input Spacers)
E000.26.D48	1	Cap Screw
E000.26.1229-1669	1	Washer
E000.26.D51	15	Cap Screw
E000.26.D197	1	Snap Ring (Input)
E000.26.D224	1	Snap Ring (Output)
E000.26.D252	1	Snap Ring (Coupling)
E000.26.E5546	1	Shaft (Input) 1.0 Dia
ES000.26.E5545	1	Shaft (Output) 2.0 Dia
E000.26.J56	1	Woodruff Key
E000.26.J79	1	Key, 1/4" Square
E000.26.J85	1	Key, 1/2" Square
E000.26.K36	1	Plug (Level)
E000.26.K47	1	Gasket (Cover)
E000.26.K112	1	Plug (Vent)
E000.26.K152	1	Seal (Hydr. Adapter)
E000.26.K155	1	Cap (Output)
E000.26.K173	2	Grease Fitting
E000.26.K195	1	Seal (Output)
E000.26.K211	1	Nilos Ring
E000.26.K278	1	Seal
E000.26.K319	1	Gasket
E000.26.K1503	1	Shaft Protector
E000.26.K1504	1	Face Seal
E000.26.P17	A/R	Shim (Series 15,000)
E000.26.P50-A	A/R	Shim (Series 25,500)
E000.26.P103	2	Spacer
E000.26.S49-4	1	Coupling (Hydr. Adapter)